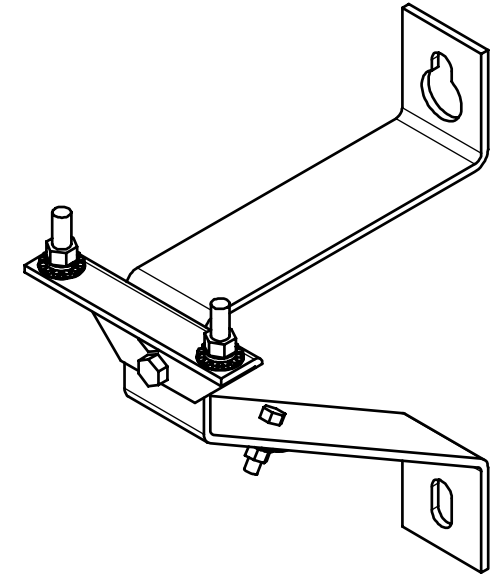
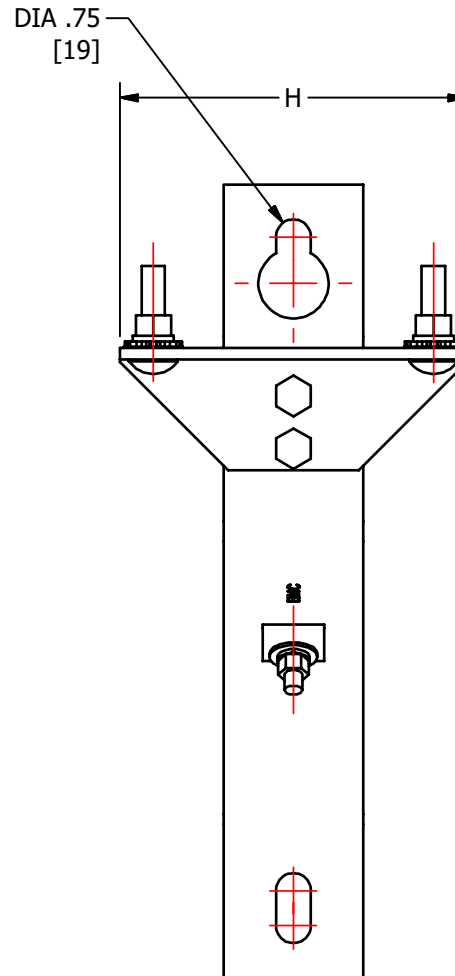
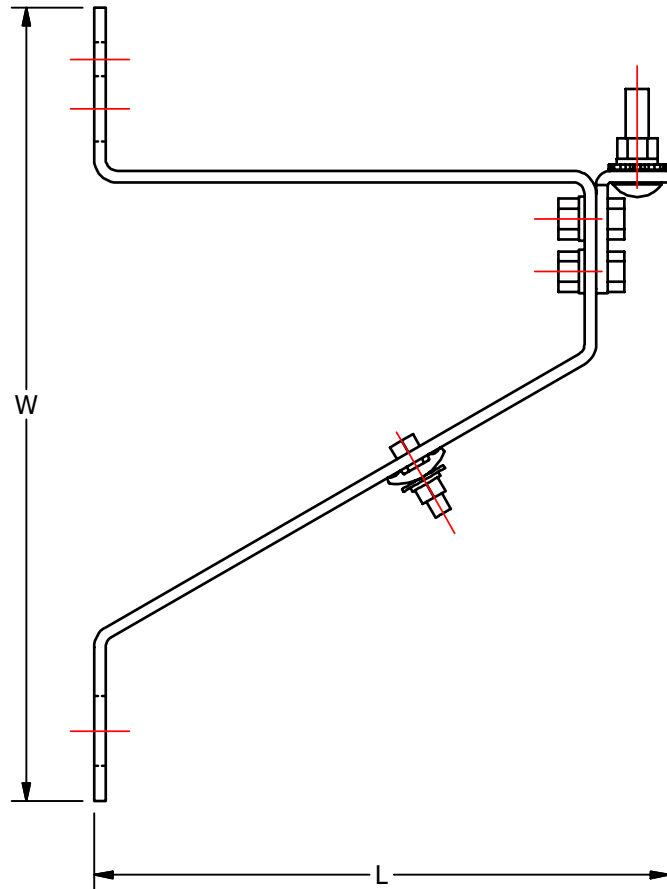


S.NO	CATALOG NUMBER	L	H	W
1	BACA 126	12.31 [313]	7.44 [189]	17 [432]
2	BACA1710	16.38 [416]	11.50 [292]	18.27 [464]



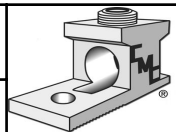
MATERIAL: ALUMINUM

					TO ORDER CMC PRODUCTS	DRAWN BY: TS	NAME OF PART:	CAT. NO.:
					UNITED STATES 1-513-860-4455	03-25-20	DISTRIBUTION SINGLE-PHASE BRACKET	SEE TABLE
					CANADA 1-800-361-6975	CHECKED BY:	DWG NO:	A
					MEXICO 011-52-722-265-4400		UB20700153-S (CHARTED)	
A	NEW DRAWING CREATED		03-25-20	TS	FOR PRODUCT INFO www.cmcugs.com	DRAWING NOT TO SCALE		SHEET NO: 1 OF 1
REV.	DESCRIPTION	ECN	DATE	INIT.				

THIS INFORMATION IS PROPRIETARY TO CONNECTOR MFG. CO. AND IS NOT TO BE DISCLOSED OUTSIDE OF CONNECTOR MFG. CO. WITHOUT A CONFIDENTIALITY AGREEMENT



CONNECTOR MANUFACTURING CO.



HAMILTON, OHIO